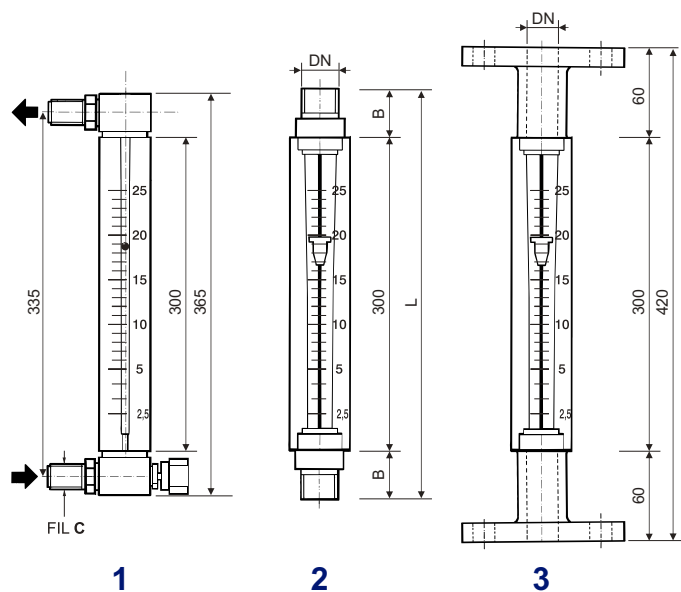


# Mod. "LB/89"

## LABORATORY FLOWMETERS



AIR NLt/min	WATER Lt/h	fil C	ATTACCHI FLANGIATI flanged connections DN	B	C	L
10	25					
20	60					
30	100	3/8" 1/2"	10 - 15	35	35	370
50	150					
70	200					

AIR Nmc/h	WATER Lt/h	fil C	ATTACCHI FLANGIATI flanged connections DN	B	C	L
6	320					
8	420					
10	600	3/8" 1/2"	10 - 15	40	40	380
	800					

### LABORATORY FLOWMETERS

The LB/89 series flowmeters are instantaneous measuring devices suitable for small flow rates of liquid or gaseous fluids.

They can have threaded or flanged axial connections or threaded square connections, with or without needle valve.

They are produced entirely in Plexiglas.  
Versions: 1. with tap in nickel-plated brass only  
2. with threaded connections in PVC or AISI

3. with flanged connections in PVC only  
Maximum test pressure: 10 bar, accuracy :  $\pm 5\%$ .